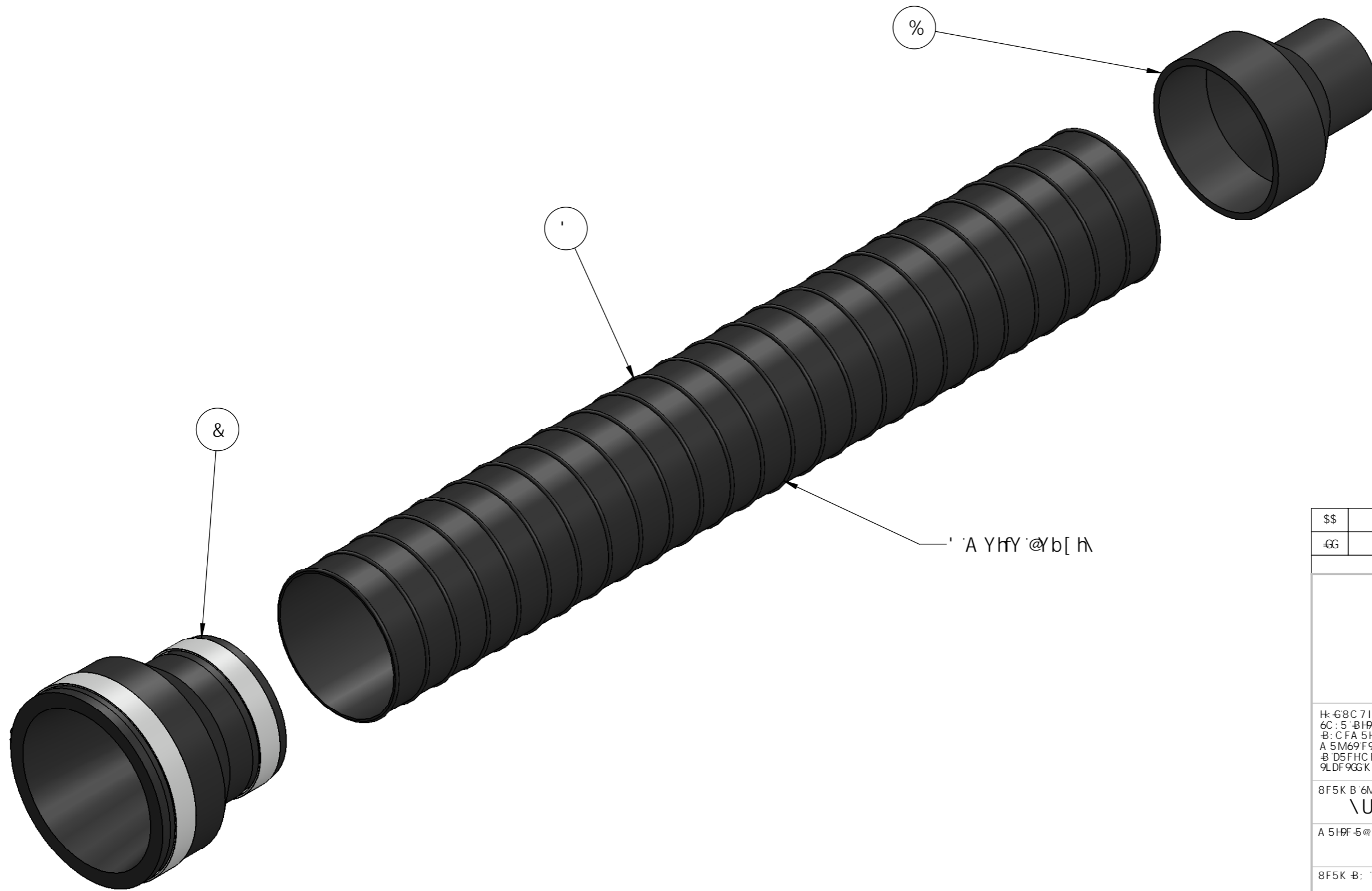


6C: 5'6CA

#DA 'BC"	D5FHBI A 69F	89G7 F-DHC B	E HM
%	D%\$\$%&\$	7 i ZZcfj [XYc Yhf+!) '\$a a fYXi WfW Zt! 'G?% *%	%
&	D\$*\$- \$\$+	FI 669F!6C C H585DHC F '%\$a a! +)a a	%
'	D%\$\$\$\$&	: 'YI]+)a a 'l @ ('J '\$GdYWMZWHjcb! 6UW_	%



\$\$	cf[]bu'Xfuk]b[%* #/0/#&\$%*	<<
€G	89G7 F-DHC B	85H9	€G'6M
F9J €C BG			
G7 5 @. %&		G< 99H%C: %	
85H9. %* #/0/#&\$%*		G< 99HG^9. 5'	
H< €8C 7I A 9BH-GH-9DFC D9FHC : ' 6C: 5 'BHFB5HC B5@#B" BC ' B: C FA 5HC B 7 C BH5-B 98' <9F 9-B A 5M69F9DFC 8I 7 98. CF 8-€7 @G98' B D5FHC F 'B: I @K #k: C I HH: 9 9LDF9GGK F #H9B 7 C BG9BHC: 6C: 5		= 'B' 8C I 6H5G? 8C' BCHG7 5 @8F5K B; I B @GGC H: 9FK. €9 GD97 ÷ 98. #B C BC HG7 5 @ #C @F 5B7 9G Z '\$ #1%\$ #B 96I FF 5B8 6F 95? G< 5FD' 98: 9G	
8F5K B 6M			
\UbbU\ "i bhYm			
A 5H9F 5@			
8F5K B: 'HH9.			
%\$\$!) \$a a " a			
8F5K B: 'BI A 69F.		€G 9BI A 69F.	
5 %&\$&\$(-		\$\$	